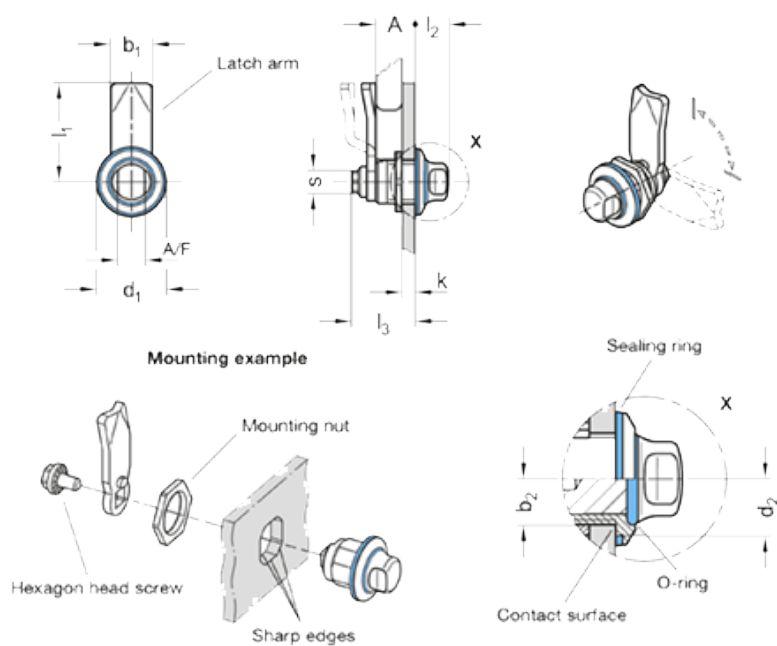


Article number: 20115022SW195FHE

Description: E+G Stainless steel latch GN 1150-FH-E  
Hygienic Design

## Measures



A/F = 9	l3 = 21
b1 = 12	kmin = 1.5
b2 = 7	la = 19.5
d1 = 22	s = 8
d2 = 9	
g = 44	
l1 = 24	
l2 = 12.6	